



Collins Walker

Incorporated

STOCK CATALOG 2022

"Our mission is to glorify God by working diligently, building relationships, striving for superior customer service, with a commitment to integrity"

**COLLINS WALKER INC
10900 GOODNIGHT LN. #130
DALLAS, TX 75220
972-247-5433
info@collinswalker.com**

Pricing is subject to change without notice. See Terms and Conditions.



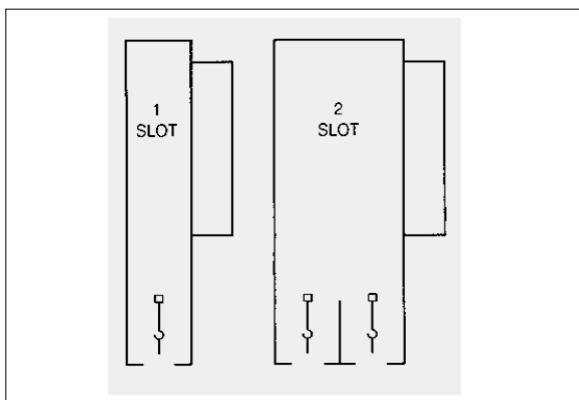
TABLE OF CONTENTS

<u>ITEM</u>	<u>PAGE</u>
PLENUM SLOT DIFFUSER (5715I)	3
ROUND CEILING DIFFUSER (RNR)	4
SQUARE CEILING DIFFUSER (RNS)	5
ARCHITECTURAL CEILING DIFFUSER (UNI)	6
ALUMINUM SQUARE CEILING DIFFUSER (ARNS)	7
PERFORATED CEILING RETURNS (4360, 61PR, 4302)	8
DOUBLE DEFLECTION SIDEWALL SUPPLY REGISTER (61DVO)	9
LOUVERED RETURN AIR GRILLE / REGISTER (6145H)	10
EGGCRATE RETURN GRILLES (51EC)	11
FILTER GRILLES (51F)	12
LOUVERS	13
SHEET METAL ADAPTERS	14
GRILLE ACCESSORIES - DAMPERS, INSULATION, & PLASTER FRAMES	15
CABLE OPERATED DAMPERS	16
ACCESS DOORS	17 - 18
VIBRATION ISOLATION	19
ROOF SUPPORTS	20
CEILING EXHAUST FANS	21 - 25
ROOFTOP EXHUAST FANS	26 - 27
ROOF CURBS	28
SINGLE DUCT VAV	29
SPIRAL DUCT AND FITTINGS	30 - 31
SNAPLOCK PIPE AND FITTINGS	32 - 34
DUCT HANGERS	35
FLEX DUCT	36
SHOP SUPPLIES - CORNERS, CLEATS, FLANGE, SLIP & DRIVE, DUCT SEAL, ETC.	37 - 39
FIELD SUPPLIES - THREADED ROD & STRUT, BEAM CLAMPS, TAPE, SCREWS	40 - 41
LOCATION MAP - DIRECTIONS	42

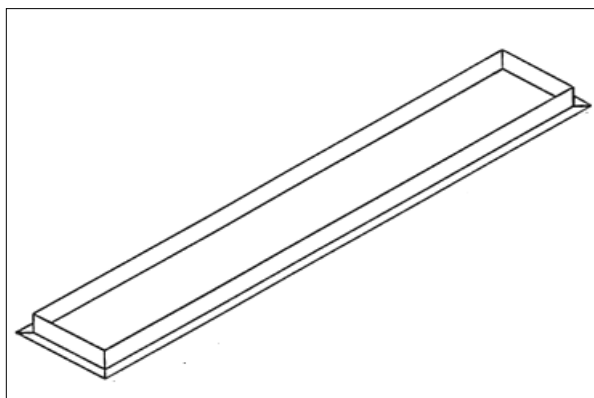
PLENUM SLOT DIFFUSER

MODEL : 5715I

- * Slot diffusers with integral TB plenum
- * Surface mount frame available
- * Quiet and efficient
- * Adjustable air pattern
- * 1 1/2" slot
- * Internally Insulated
- * Flat black finished face with white center tee



Height = 11"



Plaster Frame Recommended Ceiling Opening:

Width = Diffuser Width + 1/2" ; Length = Diffuser Length + 1/4"

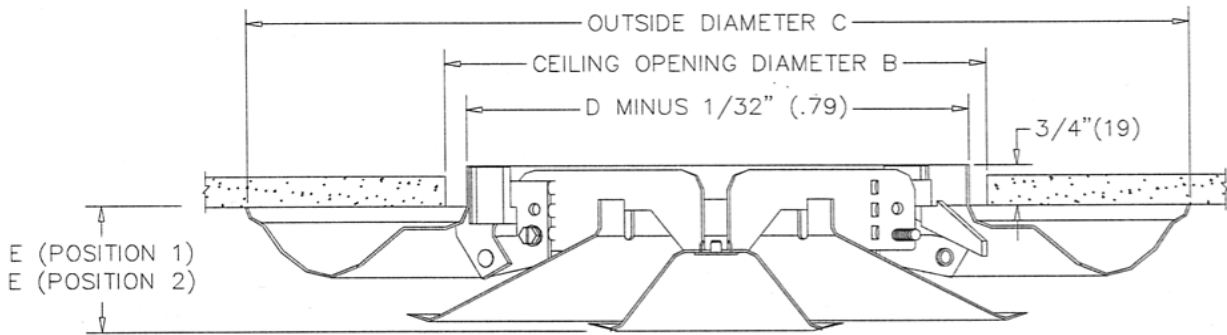
MODEL	SLOT	LENGTH	WIDTH	INLET	CFM RANGE	PRICE
5715 124	1	23 5/8	2 1/2	8"	0 - 130	
5715 136		35 5/8		8"	0 - 170	
5715 148		47 5/8		8"	0 - 210	
5715 148		47 5/8		10" Oval	0 - 210	
5715 160		59 5/8		10" Oval	0 - 260	
5715 224	2	23 5/8	5	8"	0 - 180	
5715 236		35 5/8		8"	0 - 280	
5715 248		47 5/8		8"	0 - 400	
5715 248		47 5/8		10" Oval	0 - 400	
5715 260		59 5/8		12" Oval	0 - 480	

S/M FRAME

ROUND CEILING DIFFUSER

MODEL : RNR

- * Spun steel construction
- * Three concentric cones
- * Two horizontal discharge patterns
- * Removable inner core
- * Designed for exposed duct or hard ceilings
- * White powder coat finish



DIMENSIONAL DATA (inches)				DIFFUSER PRICE
NECK SIZE	C	E1	E2	
6"	11 5/8	1 1/8	1 3/4	
8"	14 3/8	1 1/2	2 1/8	
10"	17 15/16	2 1/8	2 7/8	
12"	21 5/8	2 3/8	3 1/8	
14"	25 1/4	2 5/8	3 3/8	

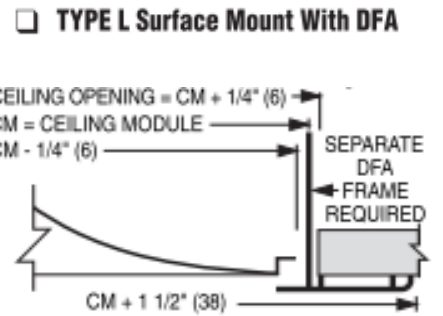
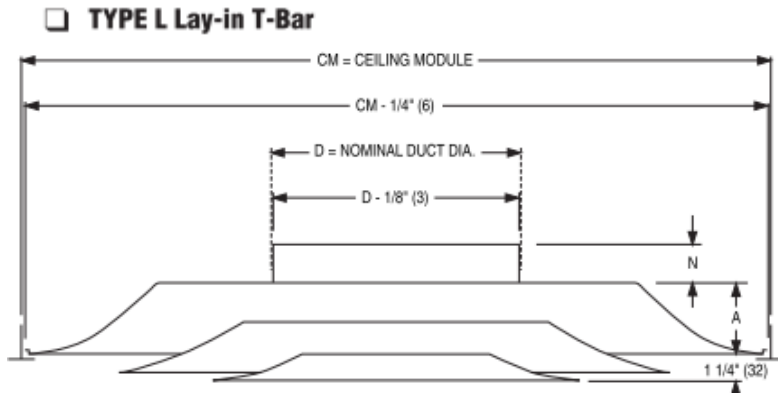
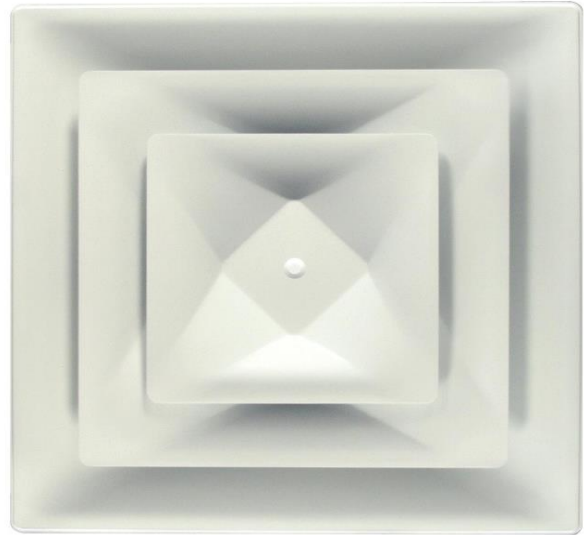
4250 RADIAL DAMPER

Ceiling Opening B = Duct Diameter + 1/2"

SQUARE CEILING DIFFUSER

MODEL : RNS3

- * Steel construction
- * High performance 360 degree diffusion
- * Square face
- * Round neck
- * Louvered 3-cone (standard) & 4-cone (available)
- * Removable core
- * White powder coat finish



PANEL SIZE	ROUND NECK	DIFFUSER PRICE
24 X 24	6"	
	8"	
	10"	
	12"	
12 X 12	6"	
	8"	

SURFACE MOUNT FRAME

4250 DAMPER	
6"	
8"	
10"	
12"	
14"	

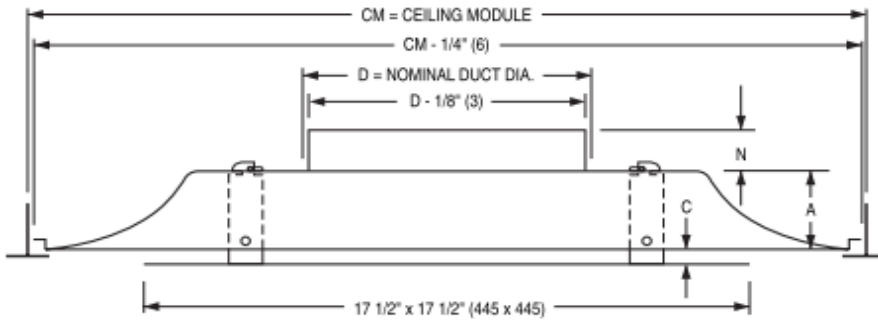
ARCHITECTURAL CEILING DIFFUSER

MODEL : UNI2

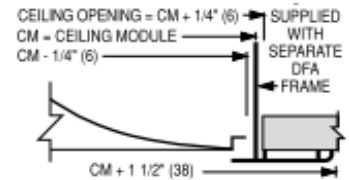
- * Steel construction
- * High performance
- * Square plaque face
- * Round neck
- * Removable inner core
- * 360 degree diffusion
- * White powder coat finish



TYPE L Lay-in T-Bar



TYPE L Surface Mount With DFA



PANEL SIZE	ROUND NECK	DIFFUSER PRICE
24 X 24	6"	
	8"	
	10"	
	14"	
12 X 12	6"	
	8"	

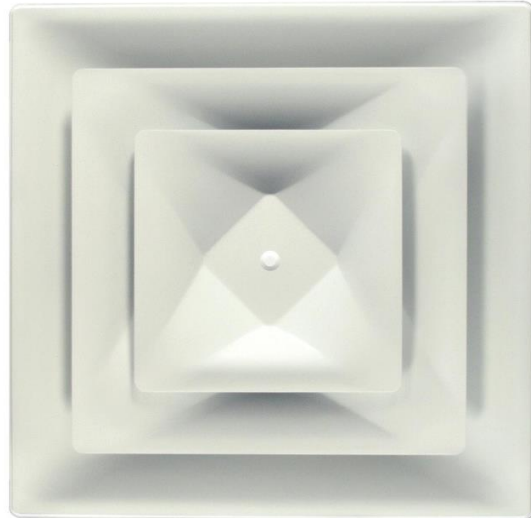
SURFACE MOUNT FRAME

4250 DAMPER	
6"	
8"	
10"	
12"	
14"	

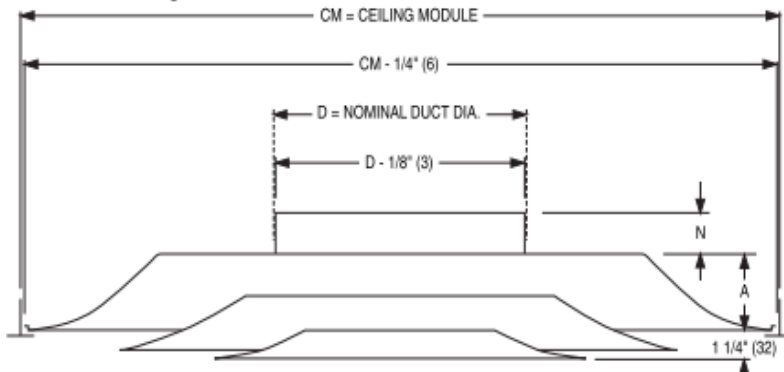
ALUMINUM SQUARE CEILING DIFFUSER

MODEL : ARNS3

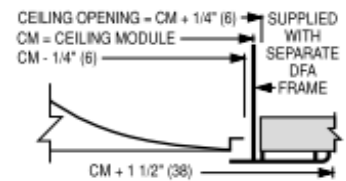
- * Aluminum construction
- * High performance
- * Square face
- * Round neck
- * Louvered 3-cone diffuser
- * 360 degree diffusion
- * White powder coat finish



TYPE L Lay-in T-Bar



TYPE L Surface Mount With DFA



PANEL SIZE	ROUND NECK	DIFFUSER PRICE
24 X 24	6"	
	8"	
	10"	
	12"	
	14"	

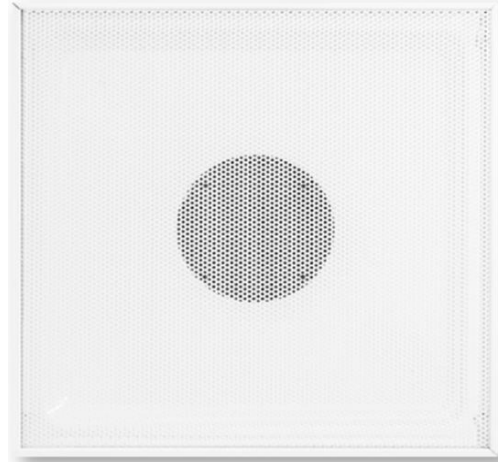
SURFACE MOUNT FRAME

4250 DAMPER	
6"	
8"	
10"	
12"	
14"	

PERFORATED CEILING RETURNS

MODELS : 4360 / 61PR / 4302

- * Steel construction
- * Lay-in frame or Panel only
- * Flush face
- * Round & square neck (4360)
- * Removable face (4360)
- * White powder coat finish



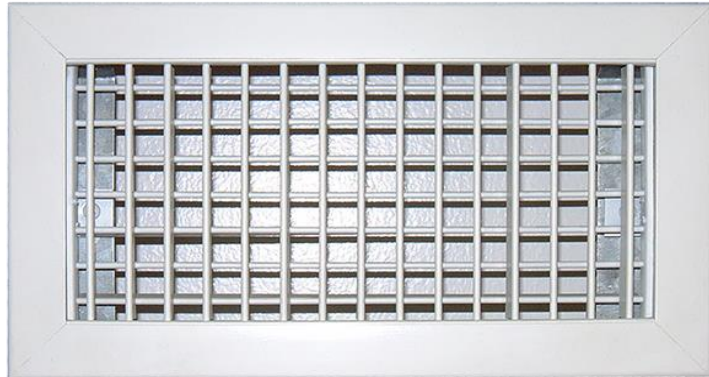
MODEL	FRAME	PANEL	NECK SIZE	PRICE
4360	LAY IN	24 X 24	22 X 22	
		24 X 12	22 X 10	
		12 X 12	10 X 10	
		48 X 24	46 X 22	
		12 X 12	6" 8"	
		24 X 24	6" 8"	
			10" 12" 14" 16" 18"	
4302	L/I PANEL	24 X 12	N/A	
		24 X 24		
		48 X 24		

SURFACE MOUNT FRAME

DOUBLE DEFLECTION SIDEWALL SUPPLY REGISTER

MODEL : 61DV-O

- * Steel construction
- * Double deflection
- * Adjustable vertical front blades
- * Adjustable horizontal rear blades
- * Opposed blade damper
- * Face size 1-3/4" larger than neck size listed
- * White powder coat finish



SIZE (W X H)	PRICE
6 X 4	
6 X 6	
8 X 4	
8 X 6	
8 X 8	
10 X 4	
10 X 6	
10 X 8	
10 X 10	
12 X 4	
12 X 5	
12 X 6	
12 X 8	
12 X 10	
12 X 12	
14 X 4	
14 X 5	
14 X 6	
14 X 8	
14 X 10	

SIZE (W X H)	PRICE
14 X 14	
16 X 4	
16 X 6	
16 X 8	
16 X 10	
16 X 16	
18 X 4	
18 X 6	
18 X 8	
18 X 10	
18 X 12	
18 X 14	
18 X 16	
20 X 4	
20 X 6	
20 X 8	
20 X 10	
20 X 12	
22 X 6	
22 X 10	

SIZE (W X H)	PRICE
24 X 4	
24 X 6	
24 X 8	
24 X 10	
24 X 12	
24 X 14	
24 X 16	
30 X 6	
30 X 8	
30 X 10	
30 X 12	
30 X 14	
30 X 16	
36 X 6	
36 X 8	
36 X 10	
36 X 12	
36 X 14	
36 X 16	

SIDEWALL RETURN AIR GRILLE

MODEL : 6145H

- * Steel construction
- * Horizontal fixed deflection vanes
- * Opposed blade damper available for some sizes
- * Face size 1-3/4" larger than neck size listed
- * White powder coat finish



SIZE (W X H)	PRICE
6 X 4	
6 X 6	
8 X 4	
8 X 6	
8 X 8	
10 X 6	
10 X 8	
10 X 10	
12 X 6	
12 X 8	
12 X 10	
12 X 12	
12 X 24	
14 X 6	
14 X 8	
14 X 10	
14 X 12	
14 X 14	
16 X 6	
16 X 8	
16 X 10	
16 X 12	
16 X 14	
16 X 16	
18 X 6	
18 X 8	
18 X 10	
18 X 12	

SIZE (W X H)	PRICE
18 X 14	
18 X 16	
18 X 18	
18 X 30	
18 X 36	
20 X 6	
20 X 8	
20 X 10	
20 X 12	
20 X 14	
20 X 20	
20 X 25	
24 X 6	
24 X 8	
24 X 10	
24 X 12	
24 X 14	
24 X 16	
24 X 18	
24 X 24	
24 X 30	
24 X 36	
24 X 48	
25 X 20	
30 X 6	
30 X 8	
30 X 10	
30 X 12	

SIZE (W X H)	PRICE
30 X 14	
30 X 16	
30 X 18	
30 X 24	
30 X 30	
36 X 6	
36 X 8	
36 X 10	
36 X 12	
36 X 14	
36 X 16	
36 X 18	
36 X 24	
36 X 36	
48 X 24	
48 X 30	
48 X 36	

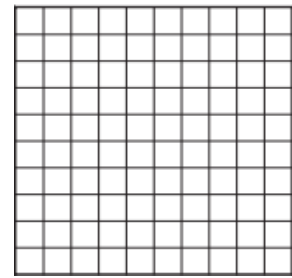
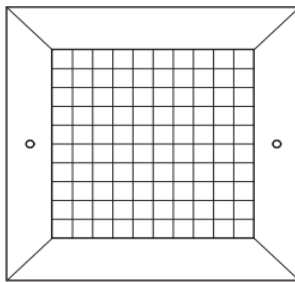
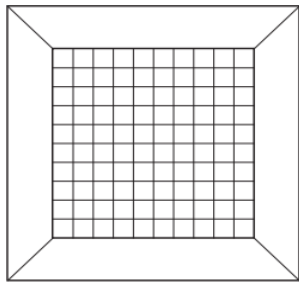
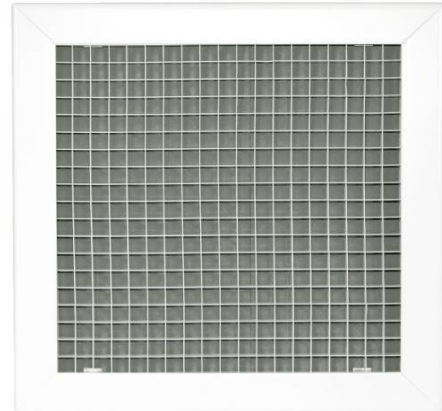
LAY-IN GRILLES (NO SCREW HOLES)	
SIZE (W X H)	PRICE
10* X 10*	
22* X 10*	
22* X 22*	
46* X 22*	

*add 2" for ceiling module size

EGGCRATE RETURN GRILLES

MODEL : 51ECL / 51ECS / ECC

- * Available in lay-in / 12x12 surface mount / plastic core only
- * Aluminum core / Aluminum frame (51ECL 51ECS)
- * Plastic core only, available in white



MODEL	FRAME	NECK	PANEL	CORE DIM.	PRICE
51ECL	L/I	10 X 10	12 X 12	1/2"X1/2"X1/2"	
		22 X 10	24 X 12		
		22 X 22	24 X 24		
		46 X 22	48 X 24		
51ECS	S/M	12 X 12	14 X 14	1/2"X1/2"X1/2"	
ECC-P	Core Only	N/A	24 X 12	1/2"X1/2"X1/2"	
			24 X 24		
			48 X 24		

NOTE
LAY-IN
LAY-IN
LAY-IN
LAY-IN
SCREW HOLES
PLASTIC CORE
PLASTIC CORE
PLASTIC CORE

FILTER GRILLES

- * Aluminum construction
- * Horizontal blade
- * Frames for 1" filters
- * Lay-in
- * Knurled knob / Latch fasteners
- * White powder coat finish



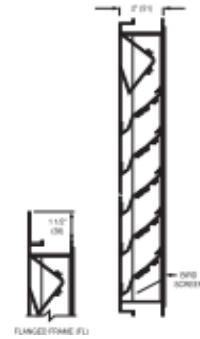
NECK SIZE	FACE SIZE	MODEL	TYPE	PRICE
20 X 8	24 X 12	51FB45-L	Louvered Face Lay-in	
20 X 20	24 X 24			

WALL LOUVERS & BRICK VENTS

Louver Model : 1602D

- * Aluminum construction
- * 2" deep drainable blades
- * 1 1/2" flange
- * Birdscreen

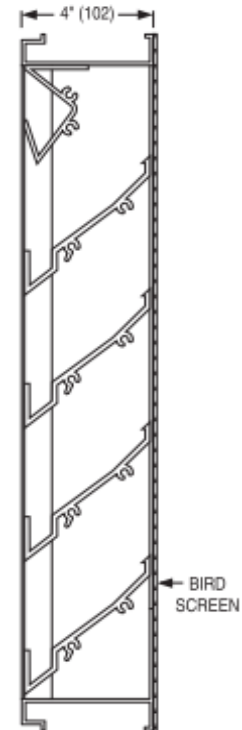
SIZE	PRICE
12 X 12	



Louver Model : 1604D

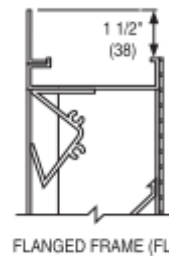
- * Aluminum construction
- * 4" deep drainable blades
- * 1 1/2" flange frame
- * Birdscreen

SIZE	PRICE
12 X 12	
24 X 12	
16 X 16	
18 X 18	
24 X 18	
24 X 24	
36 X 24	



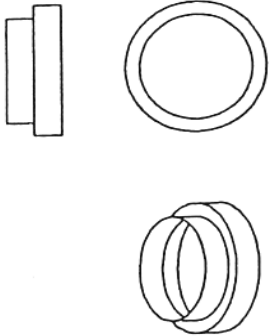
FREE AREA in Square Feet and Square Meters

		Width in Inches							
		12	18	24	30	36	42	48	
Height in Inches	12	0.30	0.46	0.61	0.76	0.91	1.07	1.22	
	18	0.31	0.50	0.68	0.87	1.06	1.24	1.43	
	24	0.30	0.03	0.05	0.06	0.08	0.10	0.12	0.13
	30	0.46	0.54	0.87	1.20	1.52	1.85	2.18	2.50
	36	0.46	0.05	0.08	0.11	0.14	0.17	0.20	0.23
	42	0.78	1.24	1.71	2.18	2.64	3.11	3.58	
	48	0.61	0.07	0.12	0.16	0.20	0.25	0.29	0.33
54	1.06	1.69	2.33	2.97	3.60	4.24	4.87		
60	0.76	0.10	0.16	0.22	0.28	0.33	0.39	0.45	

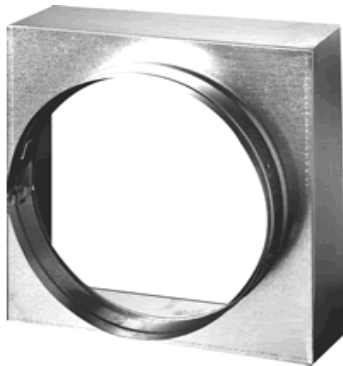


BIRD SCREEN

SHEET METAL ADAPTERS



Round to Round Reducing (RRA)		
MODEL	SIZE	PRICE
6 RRA 4	6" TO 4"	
6 RRA 5	6" TO 5"	
8 RRA 6	8" TO 6"	
8 RRA 7	8" TO 7"	
10 RRA 8	10" TO 8"	
12 RRA 8	12" TO 8"	
12 RRA 10	12" TO 10"	
14 RRA 12	14" TO 12"	
15 RRA 14	15" TO 14"	
16 RRA 14	16" TO 14"	
16 RRA 15	16" TO 15"	



Square to Round Reducers (SRA)		
MODEL	SIZE	PRICE
8X8 SRA 6	8X8 TO 6"	
10X10 SRA 6	10X10 TO 6"	
10X10 SRA 8	10X10 TO 8"	
12X12 SRA 6	12X12 TO 6"	
12X12 SRA 8	12X12 TO 8"	
12X12 SRA 10	12X12 TO 10"	
20X20 SRA 12	20X20 TO 12"	
20X20 SRA 14	20X20 TO 14"	
20X20 SRA 16	20X20 TO 16"	
20X20 SRA 18	20X20 TO 18"	
20X20 SRA 20	20X20 TO 20"	
22X10 SRA 6	22X10 TO 6"	
22X10 SRA 8	22X10 TO 8"	
22X10 SRA 10	22X10 TO 10"	
22X22 SRA 6	22X22 TO 6"	
22X22 SRA 8	22X22 TO 8"	
22X22 SRA 10	22X22 TO 10"	
22X22 SRA 12	22X22 TO 12"	
22X22 SRA 14	22X22 TO 14"	
22X22 SRA 16	22X22 TO 16"	
22X22 SRA 18	22X22 TO 18"	

GRILLE & DIFFUSER ACCESSORIES

RADIAL SLIDING DAMPER

Model : 4250

- * Steel construction / Cost efficient volume control
- * Mounts directly to diffuser collar



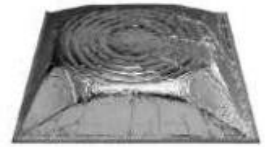
NECK SIZE	PRICE
6"	
8"	
10"	
12"	
14"	

MOLDED INSULATION BLANKET

Model : MIB

- * Fits 24x24 round neck diffusers * R-6

SIZE	PRICE
24 x 24	



DUCTBOARD BACK

Model : DBB

- * Fits 22X10 or 22x22 square neck * 6" high (I.D.)

SIZE	PRICE
24 x 12	
24 x 24	

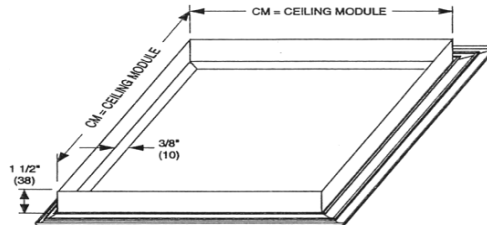


AUXILARY FRAMES

Models : DFA

- * Hard ceiling frames for plaster and sheetrock ceilings

MODEL	SIZE	PRICE
4824 DFA	48 X 24	
2424 DFA	24 X 24	
2412 DFA	24 X 12	
1212 DFA	12 X 12	
2020 DFA	20 X 20	

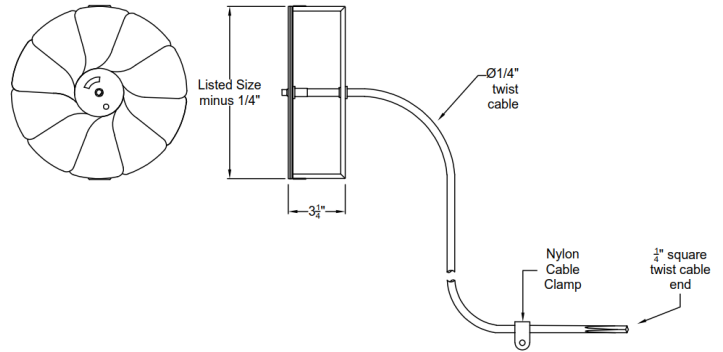


CABLE OPERATED DAMPERS

Models : RB - RADIAL BLADE DAMPER

- * Galvannealed steel - Singular comprehensive unit
- * Male 1/4" square twist cable end
- * 5ft cable lengths (longer available - made to order)

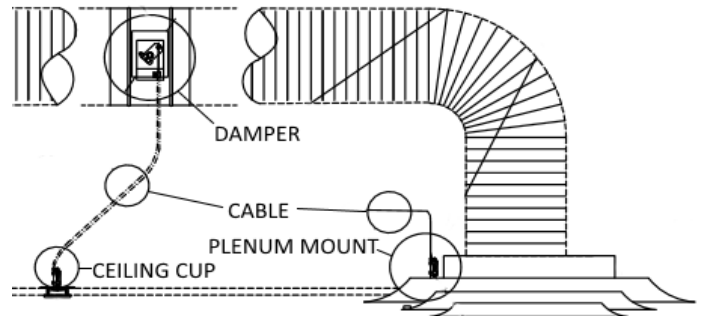
RADIAL BLADE CABLE DAMPER	
SIZE	PRICE
6"	
8"	
10"	
12"	
14"	



Model : COD - IN-LINE DAMPER

- * 6"-10" 24 gauge galvanized steel
- * 12"-14" 20 gauge galvanized steel
- * Multiple cable lengths and controllers

IN-LINE CABLE DAMPER	
SIZE	PRICE
6"	
8"	
10"	
12"	
14"	
CABLES	
SIZE	PRICE
3 FT	
5 FT	
10 FT	
CONTROLLERS	
SIZE	PRICE
CEILING CUP	
PLENUM MOUNT	
FIELD KIT 3/8" SQ ROD	



ACCESS DOOR PRODUCTS

FIRE RATED ACCESS PANEL

Model : BIT - K

- * Steel construction and prime coat
- * UL Listed 1 1/2 hour rated for 2 hour fire walls
- * Full length hinges and constant force closure springs

SIZE	PRICE
12 X 12	
16 X 16	
18 X 18	
24 X 24	



ALL PURPOSE ACCESS PANEL

Model : BNT-C

- * Steel construction and prime coat
- * For drywall, plastered and masonry surfaces
- * Full length hinges and screwdriver cam latch

SIZE	PRICE
8 X 8	
12 X 12	
16 X 16	
18 X 18	
24 X 24	

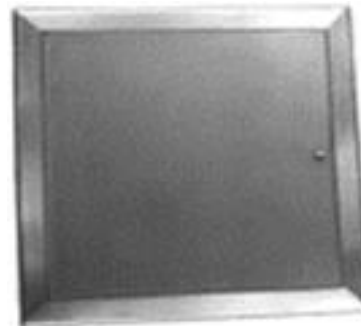


ALL PURPOSE STAINLESS STEEL ACCESS PANEL

Model : BNT - C - SS

- * All stainless steel construction version of CNT - C

SIZE	PRICE
12 X 12	
18 X 18	
24 X 24	



DUCT ACCESS DOOR PRODUCTS

RECTANGULAR DUCT ACCESS DOOR

Models : CAD & HAD

- * Double wall galvanized steel construction
- * 1" thick insulated, dual gasketing
- * Peening method installation
- * CAD - Removable door (paired camlocks)
- * HAD - Full length hinge and cammed operated latch



CAD - CAMLOCK

HAD - HINGED

SIZE	PRICE
6 X 6	
8 X 8	
10 X 10	
12 X 12	
14 X 14	
16 X 16	
18 X 18	
24 X 24	

ROUND DUCT ACCESS DOOR

Model : RAD

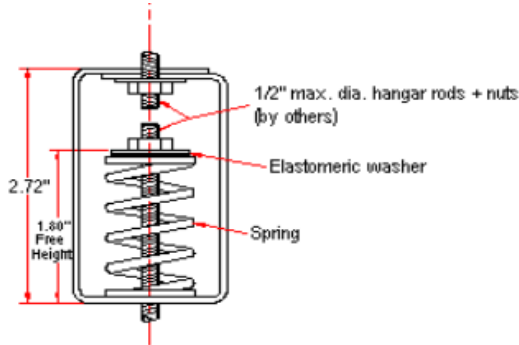
- * 22 guage galvanized steel construction
- * Insulated
- * Gasketed - 20" w.g.
- * Door size = (6", 8", 10") 8 x 4 oval / (Other Sizes) 12 x 8 oval
- * Easy installation and easy access



DUCT DIAMETER	PRICE
6"	
8"	
10"	
12"	
14"	
16"	
18"	
20"-24"	

VIBRATION ISOLATION

SPRING ISOLATORS

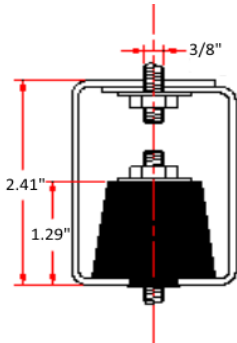


MODEL	SIZE	PRICE
VIHSS021	25 LB HANGING SPRING	
VIHSS022	44 LB HANGING SPRING	
VIHSF044	90 LB HANGING SPRING	
VIHSS024	125 LB HANGING SPRING	
VIHSA124	173 LB HANGING SPRING	

* Spring elements color-coded for easy field verification

* Load distribution steel washer

ALL PURPOSE HANGER MOUNT



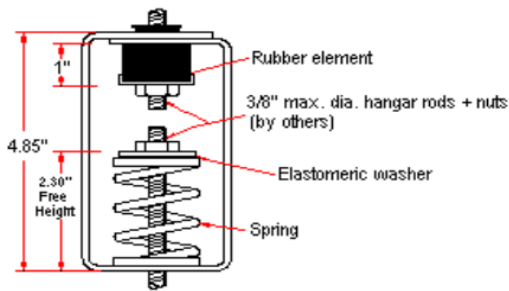
MODEL	SIZE	PRICE
VIAPHA1	95 LB HANGING RUBBER	
VIAPHA2	120 LB HANGING RUBBER	

* Element incorporates projected collar to prevent metal to metal contact between rod and bracket.

* Embedded steel plates on top of element for uniform loading.

* Oil + water resistant element

NEO-SPRING HANGER

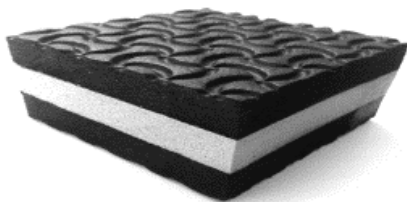


MODEL	SIZE	PRICE
VIHSNF-HM044	100 LB NEO-SPRING HANGER	

* Oil + water resistant rubber element

* Rubber element incorporates projected collar to prevent metal to metal contact between rod and bracket.

RUBBER FOAM PAD



MODEL	SIZE	PRICE
VIRFP030301	3" X 3" X 1" VIBRATION PAD GREEN	
VIRFP060601	6" X 6" X 1" VIBRATION PAD GREEN	

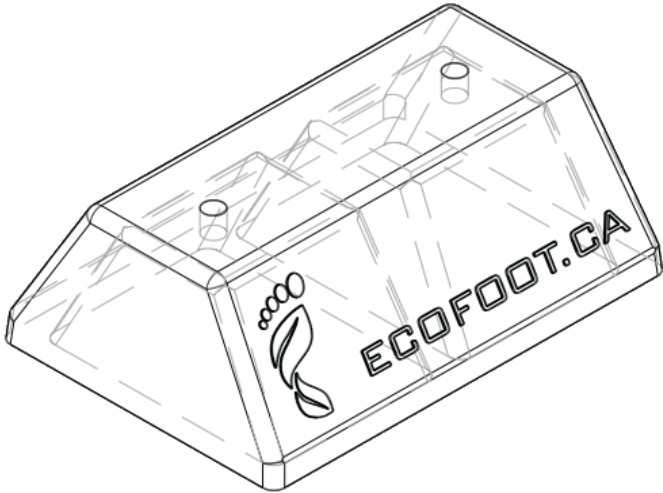
* Material: Closed cell, chemically cross-linked high density rubber foam.

* Maximum loading: 70 lbs/sq.in.

* Working range: 15 to 60 lbs/sq.in.

ROOF SUPPORTS

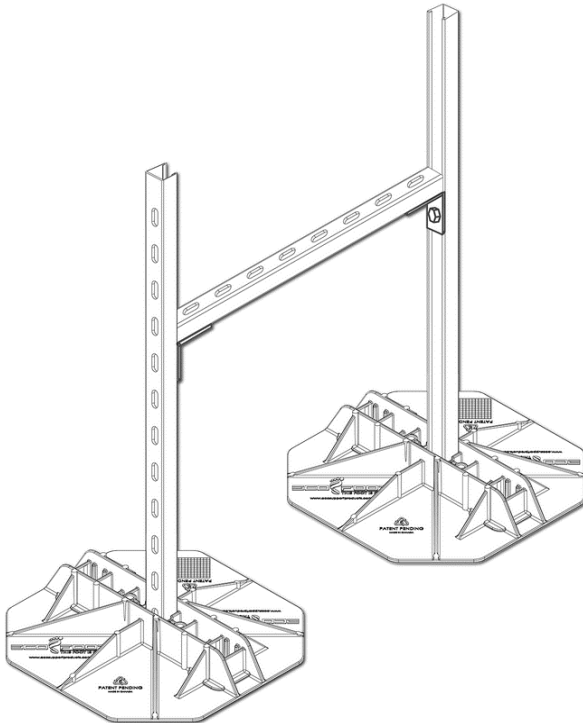
RAW RUBBER BLOCK *strut not included



DESCRIPTION	PRICE
9" RUBBER BLOCK	

- * Accommodates standard 1-5/8" strut
- * UV stabilized for long lasting support.
- * USA Standard ASTM F1292-99.
- * Support a load of 100 lbs per block
- * Multiple blocks can be combined for greater weight dispersion.

ECOFOOT QUICK FRAME - H FRAME *strut not included



DESCRIPTION	PRICE
12" X 12" H FRAME	
18" X 18" H FRAME	

Each kit includes:

- (2) Injection moulded feet
- (2) Anti-vibration mats
- (2) Strut base caps
- (2) 90° strut brackets
- (4) Spring nuts
- (4) 1/2" bolts

- * Accommodates standard 1/2" threaded rod, or 1-5/8" strut
- * Customize required support on site
- * Keeps the roofing membrane safe and decking/insulation below free of damage.

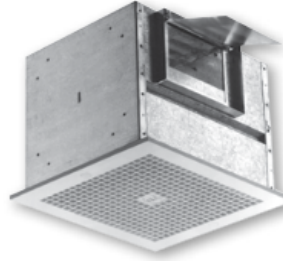
ZEPHYR CEILING EXHAUST FANS



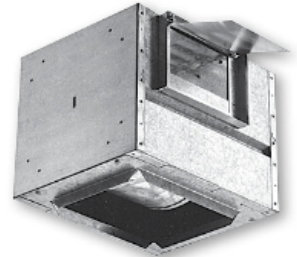
PENN BARRY™

Zephyr Z & Z-TDA Models

The Zephyrs, model Z are quiet operating ceiling exhaust fans. Some selections are available with sound ratings below 1 sone. There are 15 types of models that cover a wide range of performance. The units are easily field convertible to change the discharge orientation from right angle to top discharge. They are also easily field convertible from ceiling (model Z) to inline (model Z-TDA) installations. There are multiple sizes that utilize 2 speed motors that allow these units to cover an even greater range. All motors are equipped with thermal overload protection as standard. The units utilize quick access wiring to make them easy to install. Many of the units are offered with variable speed motor control which will allow for easy balancing. All models are AMCA Air and Sound rated and UL705 and UL507 listed.



Zephyr



Zephyr TDA

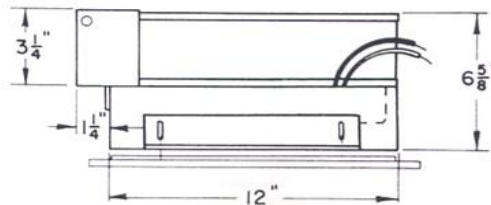
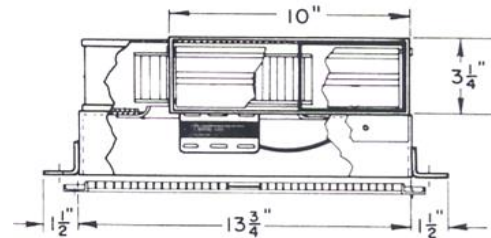
Model: Z3 - Z12

- Static pressure up to 0.75" wg.
- Flow capacity up to 1566 CFM.

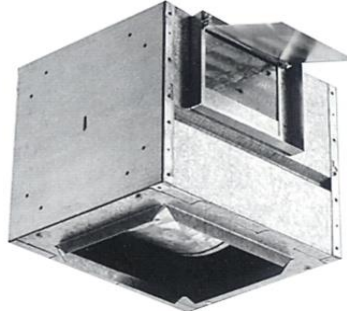
Model: Z3 - Z12 (TDA)

- Static pressure up to 1.5" wg.
- Flow capacity up to 1519 CFM.

Model Number	Max Watts	Motor 60Hz AC	Motor RPM	Shipping Weight (lbs.)	FAN CAPACITY – CUBIC FEET PER MINUTE									PRICE
					SP	0.0"	.10"	.125"	.250"	.375"	.500"	.625"	.750"	
ZT	48	115/1	1200	19	CFM	91	88	88	85	75	49	–	–	
					SONES	1.8	2.2	2.3	2.8	3.0	3.2	–	–	
					RPM	840	930	970	1110	1280	1460	–	–	
ZJ1	125	115/1	1200	19	CFM	149	156	157	158	160	153	138	117	
					SONES	2.0	2.3	2.4	3.0	3.4	3.4	3.6	3.5	
					RPM	760	1000	1020	1150	1240	1360	1450	1520	

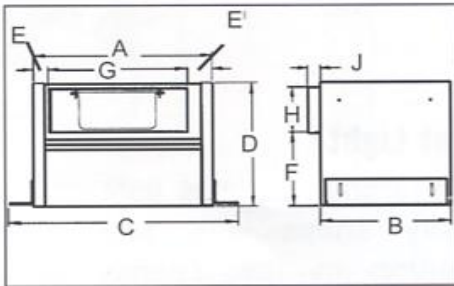


ZEPHYR CEILING EXHAUST FANS

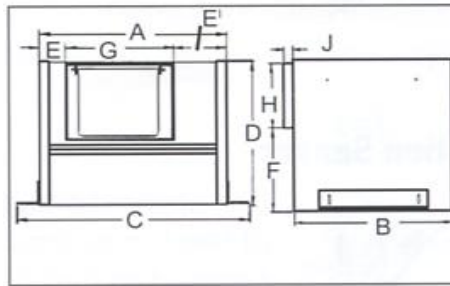


MODEL	PRICE
Z3H	
Z5H	
Z6 S/H	
Z8 S/H	
Z10 S/H	

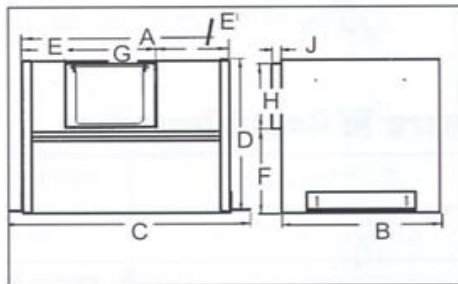
Z3, Z5, Z6



Z8, Z81



Z10



Model	Housing							Outlet Duct			Grill		TDA Panel		
	A	B	C	D	E	E ¹	F	G	H	J	K	L	X	Y	Z
Z3,5,6	12 1/2	9 1/8	16	9 1/8	1 1/4	1 1/4	5 3/8	10	3 1/4	3/4	11	13 3/4	10	6	1 5/8
Z8,81	13 7/8	11 3/8	17 3/8	11 3/8	1 7/8	4	5 1/4	8	6	3/4	13 1/4	14 7/8	10	8	1 9/16
Z10	18	14 1/8	21 1/2	14 1/8	3 5/8	6 3/8	8	8	6	3/4	15 1/2	19 3/8	14	10	2



ZEPHYR & ZEPHYR INLINE PERFORMANCE DATA

Zephyr ⁴ Model No.	MAX. WATT	Amps	RPM ¹	FAN CAPACITY - CUBIC FEET PER MINUTE									
				SP	0.000"	0.125"	0.250"	0.375"	0.500"	0.625"	0.750"		
Z3H	39	0.5	1550	CFM	109	83							
				SONES ²	1.7	2.3							
Z5H	79	1	1550	CFM	192	163	128	93					
				SONES ²	2.5	2.7	2.8	2.8					
Z6S ⁵	47	0.6	1050	CFM	123	101	82						
				SONES ²	0.9	1.4	1.8						
Z6H ⁵	108	1.4	1550	CFM	230	196	166	122					
				SONES ²	3.3	3	3	3.1					
Z8S ⁶	77	1	1050	CFM	272	247	231	217	199				
				SONES ²	2.1	2.4	2.9	3.3	3.6				
NS* Z81S	77	0.9	1050	CFM	310	273	239	213	182	136	73		
				SONES ²	2.5	2.7	2.9	3.3	3.7	4.2	4.3		
Z8H ⁶	130	1.6	1550	CFM	426	401	377	357	341	328	304		
				SONES ²	4.5	4.7	4.7	5.1	5.6	5.8	5.8		
Z10S ⁷	243	2.5	1050	CFM	469	441	423	403	387	367	347		
				SONES ²	4.5	4.8	5.1	5.4	5.6	5.8	6		
NS* Z101S	153	1.6	1050	CFM	612	537	467	405	222	116			
				SONES ²	3.9	3.6	3.9	4.6	5.5	6			
Z10H ⁷	390	3.6	1550	CFM	728	694	664	638	613	591	565		
				SONES ²	8.6	8.6	8.6	8.7	8.6	8.8	8.8		

Zephyr ⁴ Model	MAX. WATT	Amps	RPM ¹	FAN CAPACITY - CUBIC FEET PER MINUTE										
				SP	0.000"	0.125"	0.250"	0.375"	0.500"	0.625"	0.750"	1.000"	1.250"	1.500"
Z3H (TDA)	42	0.5	1550	CFM	107	81								
				SONES ³	1.7	1.9								
Z5H (TDA)	83	1	1550	CFM	199	171	143	104						
				SONES ³	1.9	2	2.1	2.1						
Z6S (TDA) ⁵	46	0.6	1050	CFM	127	93	66							
				SONES ³	0.9	1.2	1.6							
Z6H (TDA) ⁵	108	1.4	1550	CFM	227	192	157	113						
				SONES ³	2.7	2.7	2.8	2.9						
Z8S (TDA) ⁶	75	1	1050	CFM	255	228	208	190	165	139	110			
				SONES ³	1.8	1.9	2.4	2.8	3.3	3.6	3.7			
NS* Z81S (TDA)	84	0.9	1050	CFM	307	274	252	228	198	152	95			
				SONES ³	2.2	2.2	2.5	2.9	3.1	3.3	3.5			
Z8H (TDA) ⁶	132	1.6	1550	CFM	402	376	350	335	318	301	277			
				SONES ³	4.1	3.9	3.9	4.2	4.4	4.6	4.9			
Z10S (TDA) ⁷	234	2.5	1050	CFM	456	423	391	367	350	337	320	268	128	
				SONES ³	4.1	4.5	4.7	4.9	5.2	5.4	5.7	6.2	6.4	
NS* Z101S (TDA)	152	1.6	1050	CFM	609	521	438	373	272	130				
				SONES ³	3.2	3.4	4.3	4.6	5.2	5.6				
Z10H (TDA) ⁷	372	3.6	1550	CFM	700	661	626	593	558	528	504	455	368	
				SONES ³	8	8	7.9	7.9	8	8.2	8.1	8	7.8	

(NS*) = NON-STOCKED MODEL



ZEPHYR ACCESSORY GUIDE

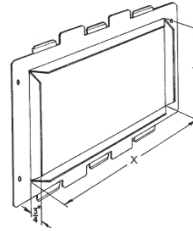
MODEL	DESCRIPTION					PRICE
<u>SPEED CONTROLS</u>		ZT	Z3H Z5H	Z8	Z10	
		ZJ1	Z6 H			
LT 30		*	*	*		
LT 50					*	
<u>ROOF CAPS</u>						
WCC 08	8" Aluminum Curb Cap		*	*	*	
WCC 12	12" Aluminum Curb Cap					
<u>WALL CAPS</u>						
RWC 04	4" Aluminum					
RWC 06	6" Aluminum	*	*			
RWC 08	8" Galvanized			*	*	
RWC 10	10" Galvanized					
<u>DUCT TRANSITIONS</u>						
56337MM	3-1/4 X 10 TO 6"	*	*			
56340MM	6 X 8 TO 8"			*	*	
56341MM	6 X 8 TO 6"			*	*	
<u>IN-LINE ADAPTER KITS</u>						
20722	TDA 3, 5, 6		*			
20723	TDA 8, 81			*		
20724	TDA 10				*	

ZEPHYR ACCESSORY GUIDE



SQUARE TO ROUND TRANSITION

Fan Model	Fan Outlet	Round Dia.
ZT, ZJ1, Z3, Z5, Z6	3 1/4 x 10	6"
Z8, Z10	8 x 6	6" or 8"



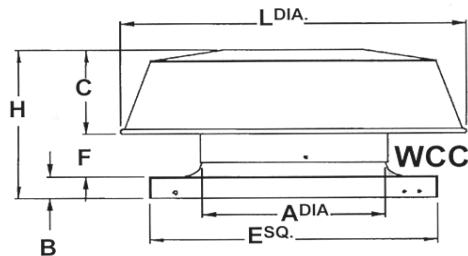
TDA INLINE ADAPTER

Fan Model	X	Y
Z3, Z5, Z6	10	6
Z8	10	8
Z10	14	10

WALL CAP



CURB MOUNTED CAP



MODEL	A (THROAT)	B	C	E SQ	F	H	L-DIA
WCC08	9	1 1/2	5 1/2	18 1/2	4	11	18 1/2
WCC12	13	2	7	20 1/2	4	13	25

DIRECT DRIVE ROOFTOP EXHAUST FAN

PENN BARRY MODEL : DX-D

- * Heavy gauge aluminum construction
- * Aluminum impellers
- * Heavy duty yet lightweight design
- * Motor compartment utilizes fan forced cooling system
- * Multi-speed motor with thermal overload protection
- * Speed controller included for high speed motor
- * Factory wired polarized disconnect plug
- * Birdscreen

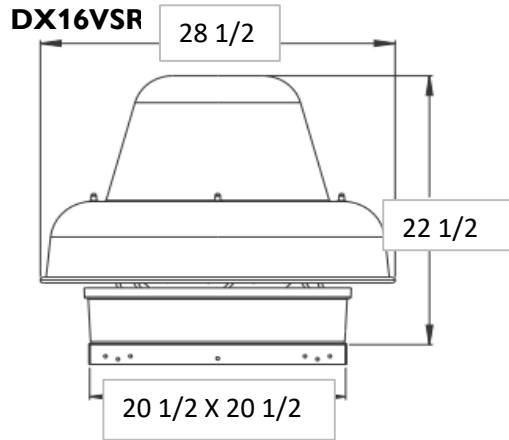
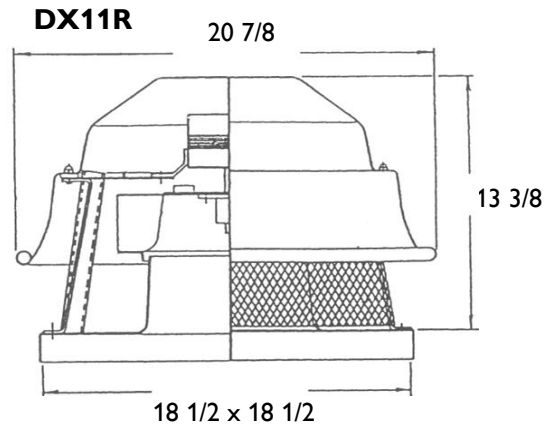
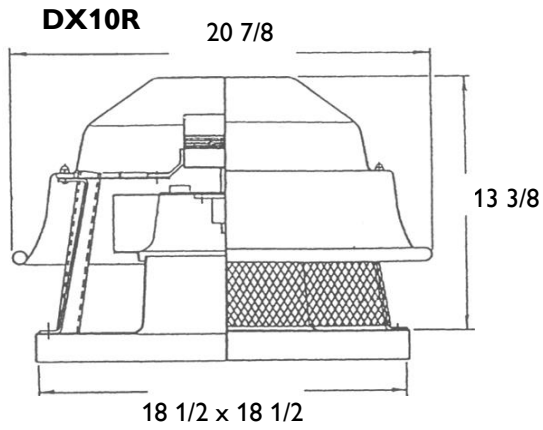


FAN		DAMPER		ROOF CURB		MOTOR	
MODEL	PRICE	SIZE	PRICE	SIZE	PRICE	HP	VOLTAGE
DX 10R		11.25 X 11.25		17 X 17		1/12	115/1/60
DX 11R		11.25 X 11.25		17 X 17		1/7	115/1/60
DX 16R		15.75 X 15.75		19 X 19		1/2	115/1/60

PERFORMANCE DATA																
FAN MODEL	HP	RPM	TIP SPD.	CFM vs. Static Pressure												MAX WATTS
				.000"		.125"		.250"		.375"		.500"		.625"		
				CFM	Sone	CFM	Sone	CFM	Sone	CFM	Sone	CFM	Sone	CFM	Sone	
DX10S	1/25	1300	3361	385	3.9	316	3.5	257	4.8	207	5.1	168	5.2	129	5.6	82
DX10R	1/12	1550	4007	559	6.1	501	5.9	446	6.1	394	6.5	338	6.8	267	7.0	121
DX11V	1/25	1050	3058	388	1.8	223	2.2	148	3.1	112	3.7	80	4.5	49	5.3	111
DX11S	1/11	1300	3786	503	3.4	397	3.6	320	4.3	262	5.0	201	5.5	149	6.0	142
DX11R	1/7	1550	4514	736	6.7	659	6.4	577	6.6	502	6.9	432	7.6	356	7.9	201
DX16V	1/6	1050	3788	1738	9.9	1489	8	1256	6.6	1032	6.1	884	6.6	772	7.1	453
DX16S	1/3	1300	4690	2021	12	1822	10.6	1637	9.5	1428	8.7	1256	8.4	1094	8.5	510
DX16R	1/2	1550	5592	2348	13.8	2176	12.8	2014	12	1853	11.3	1685	10.7	1532	10.4	574

**** Do not use speed controllers on low speed (V) or medium Speed(S); Only on High Speed (R)**

ROOFTOP EXHAUST FAN DIMENSIONAL DATA



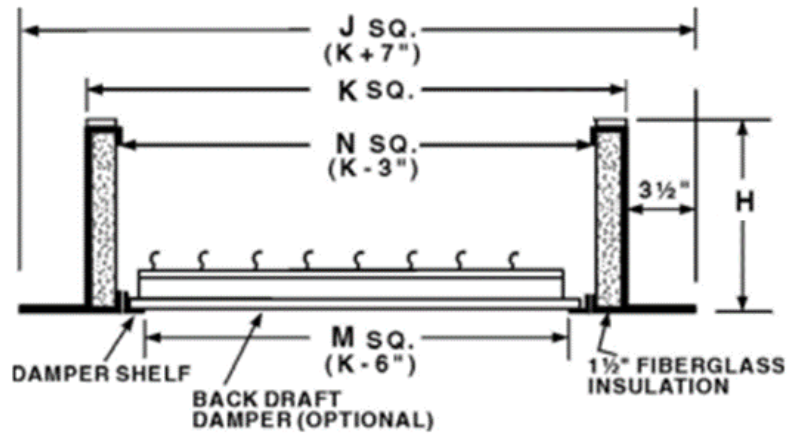
FLAT ROOF CURBS

MODEL : FN CURB

- * 18 Gauge galvanized steel
- * All welded construction
- * 14 height
- * Insulated
- * 1 5/8" wood nailer



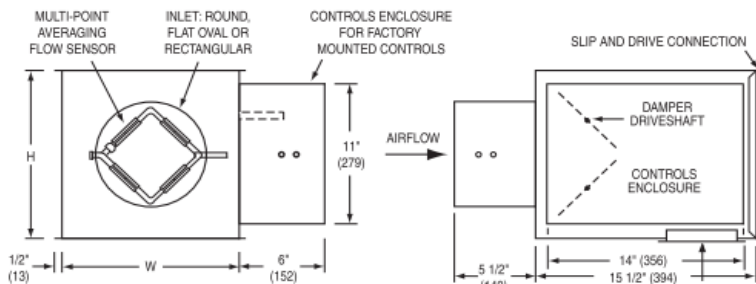
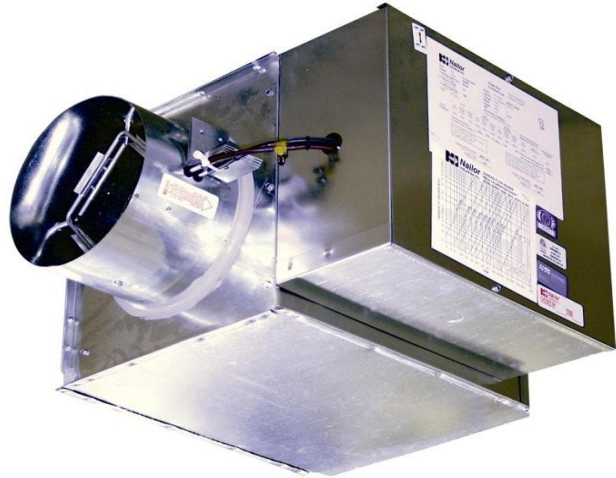
MODEL	SIZE (O.D.)	DIMENSIONS (inches)					PRICE
		J	K	N	M	H	
FN2323	23 X 23 X 14	30	23	20	17	14	
FN1919	19 X 19 X 14	26	19	16	13	14	
FN1717	17 X 17 X 14	24	17	14	11	14	



SINGLE DUCT VAV

MODEL : D3001

- * LineaCross multi-point averaging inlet sensor
- * No controls (D3001)
- * Slip and drive duct connections
- * Controls enclosure (D3001)
- * 120/24v transformer (D3001)
- * Toggle disconnect (D3001)



UNIT SIZE	CFM RANGE	DIMENSIONS (INCHES)		PRICE
		WIDTH (W)	HEIGHT (H)	MODEL D3001 NO CONTROLS (BOX W/ SENSOR ONLY)
6	0 - 450	10	10	
8	0 - 900	12	12 1/2	
10	0 - 1500	14	12 1/2	
12	0 - 2050	18	12 1/2	

SPIRAL DUCT AND FITTINGS

SPIRAL DUCT AND FITTINGS

* Slip Fittings * Pipe prices can change at any time. Please confirm with your sales team.

* SMACNA Gauges

*LONG RADIUS STANDARD

STAMPED

SPIRAL SEAM

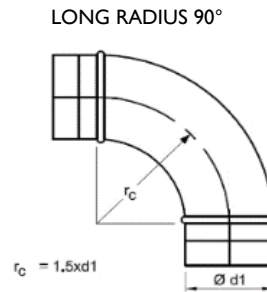
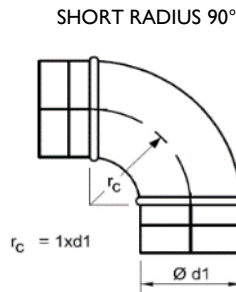


DIA.	10' SPIRAL DUCT	90° ELB	45° ELB	90° ELB	45° ELB	COUPLING	TAKE-OFF	PLUG	MANUAL DAMPER
4"									
5"									NS
6"									
8"									
10"									
12"									
14"									
16"		NS	NS						
18"		NS	NS						
20"		NS	NS						
22"		NS	NS						NS
24"		NS	NS						NS
26"	*	NS	NS	NS	NS	NS	NS	NS	NS
28"	*	NS	NS	NS	NS	NS	NS	NS	NS
30"	*	NS	NS	NS	NS	NS	NS	NS	NS

*Sizes not stocked, but fabricated in house

**With 2" stand off

Short Radius Elbows		
DIA.	90° ELB	45° ELB
6"		
8"		
10"		
12"		



SPIRAL DUCT AND FITTINGS

SPiral DUCT AND FITTINGS (CONT.)

EMPST



EMPSR



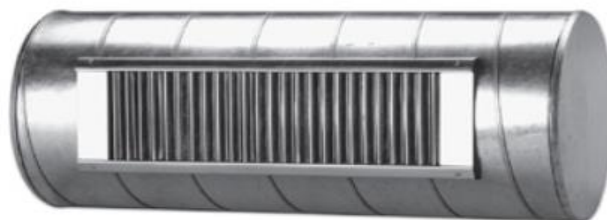
SADDLE TAPS			
4" TAP TO MULTI-ROUND		16" TAP 1 6" BODY	
6" TAP 6" BODY		16" TAP TO MULTI-ROUND	
6" TAP TO MULTI-ROUND		18" TAP 18" BODY	
8" TAP 8" BODY		18" TAP TO MULTI-ROUND	
8" TAP TO MULTI-ROUND		20" TAP 20" BODY	
10" TAP 10" BODY		20" TAP TO MULTI-ROUND	
10" TAP TO MULTI-ROUND		22" TAP 22" BODY	
12" TAP 12" BODY		22" TAP TO MULTI-ROUND	
12" TAP TO MULTI-ROUND		24" TAP 24" BODY	
14" TAP 14" BODY		24" TAP TO MULTI-ROUND	
14" TAP TO MULTI-ROUND			

SPUN REDUCERS	
SPUN REDUCER 6" TO 4"	
SPUN REDUCER 8" TO 6"	
SPUN REDUCER 10" TO 6"	
SPUN REDUCER 10" TO 8"	
SPUN REDUCER 12" TO 8"	
SPUN REDUCER 12" TO 10"	
SPUN REDUCER 14" TO 10"	
SPUN REDUCER 14" TO 12"	
SPUN REDUCER 16" TO 12"	
SPUN REDUCER 16" TO 14"	
SPUN REDUCER 18" TO 14"	
SPUN REDUCER 18" TO 16"	
SPUN REDUCER 20" TO 16"	
SPUN REDUCER 20" TO 18"	
SPUN REDUCER 22" TO 18"	
SPUN REDUCER 22" TO 20"	
SPUN REDUCER 24" TO 20"	
SPUN REDUCER 24" TO 22"	

DUCT MOUNTED REGISTERS

- * Supply/return register with adjustable double deflection blades and a volume damper/extractor.
- * Mounting directly on spiral duct
- * Register taps are not required

MODEL: RGS	
13" X 3"	
13" X 6"	
17" X 3"	
17" X 6"	
21" X 6"	



SNAP LOCK PIPE AND FITTINGS

SNAP LOCK PIPE AND FITTINGS

* Standard and SMACNA gauges available

* Many other taps and fittings available by special order

LPSLP



DIAMETER	5' PIPE SMACNA
4"	
6"	
8"	
10"	
12"	
14"	
16"	
18"	
20" (4'L)	

LPAELB



ADJ. ELBOW SMACNA

LPPLUG



END CAP/ PLUG
NS
NS
NS

LPRED



REDUCER	PRICE	REDUCER	PRICE
6" TO 4"		12" TO 10"	
8" TO 6"		14" TO 10"	
10" TO 6"		14" TO 12"	
10" TO 8"		16" TO 10"	
12" TO 8"		16" TO 14"	

LPWYE



WYE	PRICE	WYE	PRICE
6" X 4" X 4"		12" X 10" X 10"	
8" X 6" X 6"		12" X 12" X 8"	
8" X 8" X 6"		12" X 12" X 10"	
10" X 6" X 6"		12" X 12" X 12"	
10" X 8" X 6"		14" X 10" X 10"	
10" X 8" X 8"		14" X 12" X 10"	
10" X 10" X 8"		14" X 12" X 12"	
12" X 10" X 8"			

LOW PRESSURE TAPS AND DAMPERS

<u>TAP</u>	<u>Description</u>	4"	6"	8"	10"	12"	14"	16"	18"	20"
 ELPFSD	Damper Blade w/ Tips									NS
 LPFSM	Finger Saver Metal Duct	NS								
 LPFSMD	Finger Saver Metal Duct w/ Jiffy Damper	NS								
 LPFS	Finger Saver Ductboard	NS								
 LPSPIND	Conical Spin-In w/ Damper & Stand Off	NS								NS
 ELPGASKDOH	Straight Tap w/ Damper, Stand Off, & Sticky Gasket	NS								NS
 ELPDB3/8ROD	Damper Blade w/ 3/8" Rod	NS							NS	NS

LOW PRESSURE TAPS AND DAMPERS

<u>TAP</u>	<u>Description</u>	4"	6"	8"	10"	12"	14"	16"	18"	20"
 ELPGASKCON	Conical Tap w/ Sticky Gasket	NS							NS	NS
 ELPGASKCOND	Conical Tap w/ Damper, Stand Off, & Sticky Gasket	NS								NS
 ELPGASKST	Straight Tap w/ Sticky Gasket	NS							NS	NS
 ELPGASKSTD	Straight Tap w/ Damper, Stand Off, & Sticky Gasket								NS	NS
 ELPHETO	HETO w/ Sticky Gasket	NS							NS	NS
 ELPHETOD	HETO w/ Damper, Stand Off, & Sticky Gasket	NS							NS	NS

FLEX DUCT

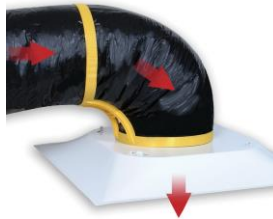
Royal Model 901 Flexible Duct

- * Designed for low to medium pressure systems
- * R-6.0 & R-8.0 * 25' per bag

- * Pressure Rating: (WG): Positive: 10 inches (4"-20" ID)
Negative: 3/4 inch (4"-20" ID)

DIAMETER	R-6.0 PRICE	R-8.0 PRICE
4"		
5"		
6"		
7"		
8"		
9"		
10"		
12"		
14"		
16"		NS
18"		NS
20"		NS

FLEXFLOW ELBOWS	
6"-16"	

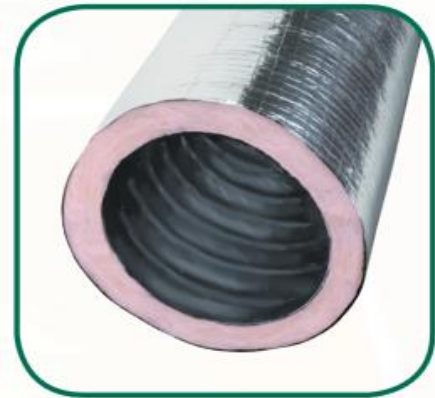


Thermaflex Model MK-E Flexible Duct

- * Suitable for all pressure heating and cooling systems
- * Acoustical duct offers exceptional sound control
- * R-6.0 * 25' per box
- * Pressure Rating: (WG): Positive: 10 inches (4"-12" ID), 6 inches (14"-16" ID)
Negative: 1 inch (4"-12" ID), 1/2 inch (14"-20" ID)

DIAMETER	PRICE
6"	
8"	
10"	
12"	
14"	
16"	
18"	

FLEXFLOW ELBOWS	
6"-16"	

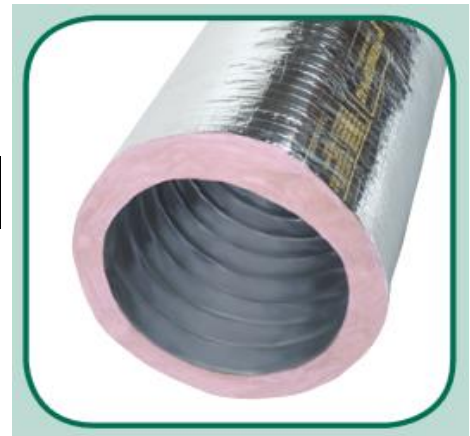
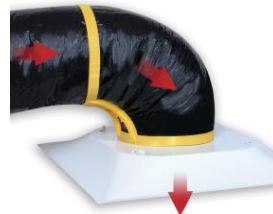


Thermaflex Model MK-C Flexible Duct

- * Suitable for all pressure heating and cooling systems
- * Most durable core available; promotes superior airflow
- * R-6.0 * 25' per box
- * Pressure Rating: (WG): Positive: 16 inches (4"-10" ID), 10 inches (12"-16" ID)
Negative: 2 inch (4"-16" ID)

DIAMETER	PRICE
6"	
8"	
10"	
12"	
14"	
16"	

FLEXFLOW ELBOWS	
6"-16"	



SHOP SUPPLIES

ELPSLIPFL110

Slip Flat "S" 24GA. 1" X 10FT



PRICE

ELPDRIVE110

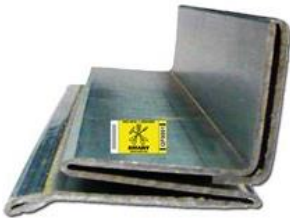
Drive Material 1" 24GA. X 10FT



PRICE

ELPJCORNER

J Corner - 250 CT



PRICE

ELPCCORNER

Stackable C Corner Auto Insert - 250 CT



PRICE

ELPFCORNERBOLT

Elgen Flange Corner *Bolt Type* - 300 CT



PRICE

ELPJCORNER

J Corner - 250 CT



PRICE

ELPCJCLEAT

Cleat Metal for J & C Corner - 500 CT



PRICE

ELPFCLEAT

Cleat for Elgen Flange Metal - 500 CT



PRICE

SHOP SUPPLIES (cont.)

ELPJANGLE20

J Angle *No Holes* - 20FT Joints



PRICE (ea)

ELPFANGLE20

Elgen Flange *No Holes* - 20FT Joints



PRICE (ea)

ELPSR210

Elgen Super Rail 2" X 10FT



PRICE (ea)

ELPSR410

Elgen Super Rail 4" X 10FT



PRICE (ea)

ELPTV210

2" Turning Vane - 10FT



PRICE

ELPTV410

4" Turning Vane - 10FT

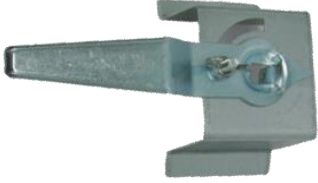


PRICE

SHOP SUPPLIES (cont.)

ELPSOEE-126

2" Stand Off with EE-126 Regulator/Handle - 120 CT



PRICE

ELPSUPERSO

Elgen Super Stand Off 3/8" X 2" Orange - 240 CT



PRICE

ELPRB3/8SQ

3/8"SQ Rubber Bushing - 100CT



PRICE

Neoprene Flex Connector
100FT / BOX



PRICE
<u>ELPZLN333</u> (3X3X3) -
<u>ELPZLN444</u> (4X4X4) -

ELP19GAMESH100

1/2 X 1/2 X 48" 19 GA Wire Mesh - 100FT



PRICE

ELP440BG

440 Butyl Gasket - 500FT (20 rolls of 25ft)



PRICE



ELPBLUE

Blue Shrink Wrap

24" X 200FT - 3 MIL -
24" X 600FT - 3 MIL -
36" X 200FT - 3 MIL -

PRICE

ELPSTRAPSS

Stainless Steel Strap



PRICE (ea)	
6"	
8"	
10"	
12"	
14"-16"	

ELPLABEL

White Removable Labels - 1000CT(6 Labels per Sheet)



PRICE (ea)



ELPAE-88

Spary-On Edge Coating

PRICE (ea)

FIELD SUPPLIES

SCREWS



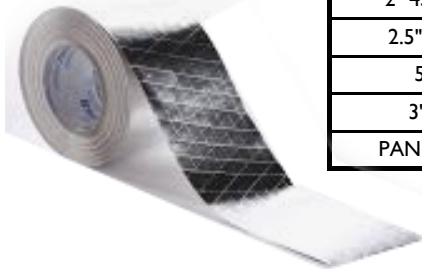
SIZE	PRICE
SPEED PT SCREW 1/2" #10 (1000 COUNT)	
SPEED PT SCREW 1/2" #10 (500 COUNT)	
SELF TAP SCREW 1/2" #10 (1000 COUNT)	
SELF TAP SCREW 1/2" #10 (500 COUNT)	

AIRSEAL, FIRE SEAL, BRUSHES



DESCRIPTION	PRICE
AIRSEAL 33 GREY 1 GALLON PAIL	
FIRE SEAL 10.5OZ TUBE FS-T	
2" PAINT BRUSH SB-2	

TAPE & PANDUIT STRAP



DESCRIPTION	PRICE
2" 450 FLEX FIT METALIC TAPE	
2.5" 2000 FOIL TAPE UL181A/B	
557 FLEX TAPE METALIC	
3" SCRIM TAPE FSK UL723	
PANDUIT STRAP 36" BAG OF 50	

DUCT WRAP

- * R-6.0
- * 75' per bag



SIZE	PRICE
2 1/8" X 48"	

THREADED ROD & STRUT



THREADED ROD	PRICE
THREADED ROD 3/8" X 10'	



THREADED ROD ACC.	PRICE
3/8" HEX NUT - 100 CT	
3/8" WASHER FLAT - 100CT	
3/8" X 1" CARRIAGE BOLT - 100 CT	
3/8" DROP-IN ANCHOR (EA.)	
3/8" BEAM CLAMP (EA.)	



HANGING STRUT	PRICE
STRUT 1 5/8" X 10' (14GA)	
STRUT 1 5/8" X 20' (12GA)	



LOCATION MAP

COLLINS WALKER INC.

10900 GOODNIGHT LN. #130

DALLAS, TEXAS 75220

972-247-5433



Google Maps



Collins Walker Website



Apple Maps





TERMS AND CONDITIONS OF SALE

1. Prices are selling prices.
2. Payment terms are COD or net 30 days from date of invoice with approved credit.
3. Items to be returned to stock are subject to a 25% restocking fee.
4. All sales final on special orders, spiral pipe, snap lock pipe, and flex duct.
5. Warehouse warranties are standard manufacturers warranty.
6. Pricing is subject to change without notice.
7. Title to all material shall remain the sellers until the purchase is paid in full.
8. Claims : The respositbility of Collins Walker, Inc. ceases upon delivery of materials in good order to the carrier. Any claims for damages, shortages, or loss in transport must be filed by the customer against the transportation company. Claims of shortage will no be considered unless made within 30 days after receipt of goods.